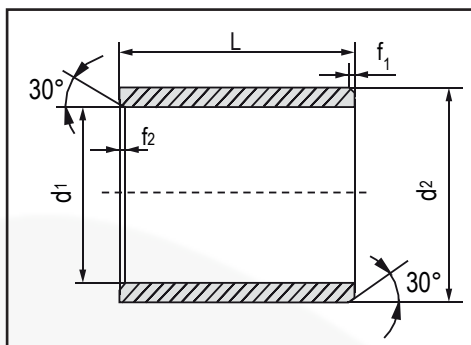


**CPS7 | CPS3M | CPS15 | CPS19 | CPS23 | CPS25**

**Метрические подшипники скольжения**



$d_1$	$f_1$	$f_2$
1-6	0.3	0.5
6-12	0.5	
12-30	0.8	
>30	1.2	

Артикул: №  
 CPS 13 – 32 36 – 30  
 Длина  
 Внешний диаметр  $d_1$   
 Внутренний диаметр  $d_2$   
 Материал CMB13

Код изделия	$d_1$ [мм]	$d_1$ – после запрессовки [мм]	$d_2$ [мм]	L [мм]
CPS7-0203-03	2	+0.014/+0.054	3.5	3
CPS7-0304-03	3	+0.014/+0.054	4.5	3
CPS7-0304-036	3	+0.014/+0.054	4.5	3.6
CPS7-0304-05	3	+0.014/+0.054	4.5	5
CPS7-0304-055	3	+0.014/+0.054	4.5	5.5
CPS7-0304-06	3	+0.014/+0.054	4.5	6
CPS7-0405-04	4	+0.020/+0.068	5.5	4
CPS7-0405-05	4	+0.020/+0.068	5.5	5
CPS7-0405-06	4	+0.020/+0.068	5.5	6
CPS7-0405-08	4	+0.020/+0.068	5.5	8
CPS7-0405-10	4	+0.020/+0.068	5.5	10
CPS7-0506-05	5	+0.010/+0.040	6	5
CPS7-0506-07	5	+0.010/+0.040	6	7
CPS7-0507-05	5	+0.020/+0.068	7	5
CPS7-0507-08	5	+0.020/+0.068	7	8
CPS7-0507-10	5	+0.020/+0.068	7	10
CPS7-0509-05	5	+0.030/+0.105	9	5
CPS7-0509-08	5	+0.030/+0.105	9	8
CPS7-0608-04	6	+0.020/+0.068	8	4
CPS7-0608-06	6	+0.020/+0.068	8	6
CPS7-0608-08	6	+0.020/+0.068	8	8
CPS7-0608-09	6	+0.020/+0.068	8	9
CPS7-0608-10	6	+0.020/+0.068	8	10
CPS7-0608-15	6	+0.020/+0.068	8	15
CPS7-0610-04	6	+0.030/+0.105	10	4
CPS7-0610-06	6	+0.030/+0.105	10	6
CPS7-0610-08	6	+0.030/+0.105	10	8
CPS7-0610-10	6	+0.030/+0.105	10	10
CPS7-0612-06	6	+0.030/+0.105	12	6
CPS7-0612-10	6	+0.030/+0.105	12	10
CPS7-0810-05	8	+0.025/+0.083	10	5
CPS7-0810-06	8	+0.025/+0.083	10	6
CPS7-0810-08	8	+0.025/+0.083	10	8
CPS7-0810-10	8	+0.025/+0.083	10	10
CPS7-0810-12	8	+0.025/+0.083	10	12

Код изделия	$d_1$ [мм]	$d_1$ – после запрессовки [мм]	$d_2$ [мм]	L [мм]
CPS7-0810-15	8	+0.025/+0.083	10	15
CPS7-0810-21	8	+0.025/+0.083	10	21
CPS7-0812-06	8	+0.040/+0.130	12	6
CPS7-0812-08	8	+0.040/+0.130	12	8
CPS7-0814-06	8	+0.040/+0.130	14	6
CPS7-1012-04	10	+0.025/+0.083	12	4
CPS7-1012-06	10	+0.025/+0.083	12	6
CPS7-1012-08	10	+0.025/+0.083	12	8
CPS7-1012-10	10	+0.025/+0.083	12	10
CPS7-1012-12	10	+0.025/+0.083	12	12
CPS7-1012-15	10	+0.025/+0.083	12	15
CPS7-1012-20	10	+0.025/+0.083	12	20
CPS7-1014-10	10	+0.040/+0.130	14	10
CPS7-1214-05	12	+0.032/+0.102	14	5
CPS7-1214-06	12	+0.032/+0.102	14	6
CPS7-1214-08	12	+0.032/+0.102	14	8
CPS7-1214-10	12	+0.032/+0.102	14	10
CPS7-1214-12	12	+0.032/+0.102	14	12
CPS7-1214-15	12	+0.032/+0.102	14	15
CPS7-1214-20	12	+0.032/+0.102	14	20
CPS7-1214-25	12	+0.032/+0.102	14	25
CPS7-1216-10	12	+0.050/+0.160	16	10
CPS7-1216-20	12	+0.050/+0.160	16	20
CPS7-1315-15	13	+0.032/+0.102	15	15
CPS7-1315-20	13	+0.032/+0.102	15	20
CPS7-1416-08	14	+0.032/+0.102	16	8
CPS7-1416-10	14	+0.032/+0.102	16	10
CPS7-1416-12	14	+0.032/+0.102	16	12
CPS7-1416-15	14	+0.032/+0.102	16	15
CPS7-1416-20	14	+0.032/+0.102	16	20
CPS7-1416-25	14	+0.032/+0.102	16	25
CPS7-1517-10	15	+0.032/+0.102	17	10
CPS7-1517-15	15	+0.032/+0.102	17	15
CPS7-1517-20	15	+0.032/+0.102	17	20
CPS7-1517-25	15	+0.032/+0.102	17	25

**CPS7 | CPS3M | CPS15 | CPS19 | CPS23 | CPS25**

Код изделия	d <sub>1</sub> [мм]	d <sub>1</sub> – после запрессовки [мм]	d <sub>2</sub> [мм]	L [мм]
CPS7-1618-08	16	+0.032/+0.102	18	8
CPS7-1618-10	16	+0.016/+0.086	18	10
CPS7-1618-12	16	+0.032/+0.102	18	12
CPS7-1618-15	16	+0.032/+0.102	18	15
CPS7-1618-20	16	+0.032/+0.102	18	20
CPS7-1618-25	16	+0.032/+0.102	18	25
CPS7-1820-15	18	+0.032/+0.102	20	15
CPS7-1820-20	18	+0.032/+0.102	20	20
CPS7-2022-15	20	+0.040/+0.124	22	15
CPS7-2023-10	20	+0.040/+0.124	23	10
CPS7-2023-15	20	+0.040/+0.124	23	15
CPS7-2023-20	20	+0.040/+0.124	23	20
CPS7-2023-23	20	+0.040/+0.124	23	23
CPS7-2023-25	20	+0.040/+0.124	23	25
CPS7-2023-30	20	+0.040/+0.124	23	30
CPS7-2224-20	22	+0.040/+0.124	24	20
CPS7-2224-35	22	+0.040/+0.124	24	35
CPS7-2225-15	22	+0.040/+0.124	25	15
CPS7-2225-20	22	+0.040/+0.124	25	20
CPS7-2225-25	22	+0.040/+0.124	25	25
CPS7-2225-30	22	+0.040/+0.124	25	30
CPS7-2427-20	24	+0.040/+0.124	27	20
CPS7-2427-25	24	+0.040/+0.124	27	25
CPS7-2528-12	25	+0.040/+0.124	28	12
CPS7-2528-15	25	+0.040/+0.124	28	15
CPS7-2528-20	25	+0.040/+0.124	28	20
CPS7-2528-25	25	+0.040/+0.124	28	25
CPS7-2528-30	25	+0.040/+0.124	28	30
CPS7-2532-30	25	+0.065/+0.195	32	30
CPS7-2832-20	28	+0.040/+0.124	32	20

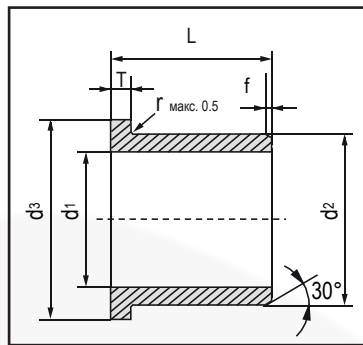
Код изделия	d <sub>1</sub> [мм]	d <sub>1</sub> – после запрессовки [мм]	d <sub>2</sub> [мм]	L [мм]
CPS7-2832-25	28	+0.040/+0.124	32	25
CPS7-2832-30	28	+0.040/+0.124	32	30
CPS7-3034-20	30	+0.040/+0.124	34	20
CPS7-3034-25	30	+0.040/+0.124	34	25
CPS7-3034-30	30	+0.040/+0.124	34	30
CPS7-3034-40	30	+0.040/+0.124	34	40
CPS7-3038-20	30	+0.065/+0.195	38	20
CPS7-3236-20	32	+0.050/+0.150	36	20
CPS7-3236-30	32	+0.050/+0.150	36	30
CPS7-3236-40	32	+0.050/+0.150	36	40
CPS7-3539-20	35	+0.050/+0.150	39	20
CPS7-3539-25	35	+0.050/+0.150	39	25
CPS7-3539-30	35	+0.050/+0.150	39	30
CPS7-3539-40	35	+0.050/+0.150	39	40
CPS7-3539-50	35	+0.050/+0.150	39	50
CPS7-4044-15	40	+0.050/+0.150	44	15
CPS7-4044-20	40	+0.050/+0.150	44	20
CPS7-4044-30	40	+0.050/+0.150	44	30
CPS7-4044-40	40	+0.050/+0.150	44	40
CPS7-4044-50	40	+0.050/+0.150	44	50
CPS7-4550-30	45	+0.050/+0.150	50	30
CPS7-5055-40	50	+0.050/+0.150	55	40
CPS7-5055-50	50	+0.050/+0.150	55	50
CPS7-5560-20	55	+0.030/+0.150	60	20
CPS7-5560-40	55	+0.030/+0.150	60	40
CPS7-6065-45	60	+0.030/+0.150	65	45
CPS7-6065-50	60	+0.030/+0.150	65	50

\*d1 H7 ISO3547-1

\*Допуск d1 после запрессовки в отверстие с допуском H7 ( S03547-1)

**CPS7 | CPS3M | CPS15 | CPS19 | CPS23 | CPS25**

**Фланцевые подшипники скольжения**



$d_1$	$f_2$
1-6	0.5
6-12	
12-30	
>30	

Артикул: №  
CPS F 13 – 32 36 – 30

- Длина
- Внешний диаметр  $d_1$
- Внутренний диаметр  $d_2$
- Материал СМВ13
- F – фланцевый подшипник

Код изделия	$d_1$ [мм]	$d_1$ – после запрессовки [мм]	$d_2$ [мм]	$d_3$ [мм]	L [мм]	T [мм]
CPS7F-0304-03	3	+0.014/+0.054	4.5	7.5	3	0.75
CPS7F-0304-05	3	+0.014/+0.054	4.5	7.5	5	0.75
CPS7F-0405-03	4	+0.020/+0.068	5.5	9.5	3	0.75
CPS7F-0405-04	4	+0.020/+0.068	5.5	9.5	4	0.75
CPS7F-0405-06	4	+0.020/+0.068	5.5	9.5	6	0.75
CPS7F-0506-035	5	+0.010/+0.040	6	10	3.5	0.5
CPS7F-0506-05	5	+0.010/+0.040	6	10	5	0.5
CPS7F-0506-06	5	+0.010/+0.040	6	10	6	0.5
CPS7F-0507-04	5	+0.020/+0.068	7	11	4	1
CPS7F-0507-05	5	+0.020/+0.068	7	11	5	1
CPS7F-0507-10	5	+0.020/+0.068	7	11	10	1
CPS7F-0509-05	5	+0.030/+0.105	9	13	5	2
CPS7F-0509-08	5	+0.030/+0.105	9	13	8	2
CPS7F-0608-04	6	+0.020/+0.068	8	12	4	1
CPS7F-0608-06	6	+0.020/+0.068	8	12	6	1
CPS7F-0608-07	6	+0.020/+0.068	8	12	7	1
CPS7F-0608-08	6	+0.020/+0.068	8	12	8	1
CPS7F-0608-10	6	+0.020/+0.068	8	12	10	1
CPS7F-0610-05	6	+0.030/+0.105	10	14	5	2
CPS7F-0610-06	6	+0.030/+0.105	10	14	6	2
CPS7F-0610-08	6	+0.030/+0.105	10	14	8	2
CPS7F-0610-10	6	+0.030/+0.105	10	14	10	2
CPS7F-0612-06	6	+0.030/+0.105	12	14	6	3
CPS7F-0612-10	6	+0.030/+0.105	12	14	10	3
CPS7F-0810-04	8	+0.025/+0.083	10	15	4	1
CPS7F-0810-055	8	+0.025/+0.083	10	15	5.5	1
CPS7F-0810-075	8	+0.025/+0.083	10	15	7.5	1
CPS7F-0810-08F2.5	8	+0.025/+0.083	10	15	8	2.5
CPS7F-0810-095	8	+0.025/+0.083	10	15	9.5	1
CPS7F-0810-10	8	+0.025/+0.083	10	15	10	1
CPS7F-0810-12	8	+0.025/+0.083	10	15	12	1
CPS7F-0810-15	8	+0.025/+0.083	10	15	15	1
CPS7F-0810-30	8	+0.025/+0.083	10	15	30	1
CPS7F-0812-06	8	+0.040/+0.130	12	16	6	2
CPS7F-0812-08	8	+0.040/+0.130	12	16	8	2

Код изделия	$d_1$ [мм]	$d_1$ – после запрессовки [мм]	$d_2$ [мм]	$d_3$ [мм]	L [мм]	T [мм]
CPS7F-0814-06	8	+0.040/+0.130	14	18	6	3
CPS7F-1012-05	10	+0.013/+0.071	12	18	5	1
CPS7F-1012-06	10	+0.025/+0.083	12	18	6	1
CPS7F-1012-07	10	+0.025/+0.083	12	18	7	1
CPS7F-1012-08	10	+0.013/+0.071	12	18	8	1
CPS7F-1012-09	10	+0.013/+0.071	12	18	9	1
CPS7F-1012-10	10	+0.025/+0.083	12	18	10	1
CPS7F-1012-12	10	+0.025/+0.083	12	18	12	1
CPS7F-1012-15	10	+0.025/+0.083	12	18	15	1
CPS7F-1012-17	10	+0.025/+0.083	12	18	17	1
CPS7F-1014-10	10	+0.040/+0.130	14	19	10	2
CPS7F-121418-04	12	+0.032/+0.102	14	18	4	1
CPS7F-121418-08	12	+0.032/+0.102	14	18	8	1
CPS7F-1214-05	12	+0.032/+0.102	14	20	5	1
CPS7F-1214-06	12	+0.032/+0.102	14	20	6	1
CPS7F-1214-07	12	+0.032/+0.102	14	20	7	1
CPS7F-1214-09	12	+0.032/+0.102	14	20	9	1
CPS7F-1214-10	12	+0.032/+0.102	14	20	10	1
CPS7F-1214-12	12	+0.033/+0.102	14	20	12	1
CPS7F-1214-15	12	+0.032/+0.102	14	20	15	1
CPS7F-1214-17	12	+0.032/+0.102	14	20	17	1
CPS7F-1214-20	12	+0.032/+0.102	14	20	20	1
CPS7F-1216-10	12	+0.050/+0.160	16	22	10	2
CPS7F-1216-20	12	+0.050/+0.160	16	22	20	2
CPS7F-1416-10	14	+0.016/+0.086	16	22	10	1
CPS7F-1416-12	14	+0.032/+0.102	16	22	12	1
CPS7F-1416-17	14	+0.032/+0.102	16	22	17	1
CPS7F-1420-10	14	+0.050/+0.160	20	25	10	3
CPS7F-1517-04	15	+0.032/+0.102	17	23	4	1
CPS7F-1517-05	15	+0.032/+0.102	17	23	5	1
CPS7F-1517-09	15	+0.032/+0.102	17	23	9	1
CPS7F-1517-12	15	+0.032/+0.102	17	23	12	1
CPS7F-1517-17	15	+0.032/+0.102	17	23	17	1
CPS7F-1517-20	15	+0.032/+0.102	17	23	20	1
CPS7F-1618-04	16	+0.032/+0.102	18	24	4	1

**CPS7 | CPS3M | CPS15 | CPS19 | CPS23 | CPS25**

Код изделия	d <sub>1</sub> [мм]	d <sub>1</sub> – после запрессовки [мм]	d <sub>2</sub> [мм]	d <sub>3</sub> [мм]	L [мм]	T [мм]
CPS7F-1618-06	16	+0.032/+0.102	18	24	6	1
CPS7F-1618-09	16	+0.032/+0.102	18	24	9	1
CPS7F-1618-12	16	+0.032/+0.102	18	24	12	1
CPS7F-1618-17	16	+0.032/+0.102	18	24	17	1
CPS7F-1618-20	16	+0.032/+0.102	18	24	20	1
CPS7F-1618-25	16	+0.032/+0.102	18	24	25	1
CPS7F-1820-09	18	+0.016/+0.086	20	26	9	1
CPS7F-1820-12	18	+0.016/+0.086	20	26	12	1
CPS7F-1820-17	18	+0.032/+0.102	20	26	17	1
CPS7F-1820-20	18	+0.032/+0.102	20	26	20	1
CPS7F-1820-22	18	+0.032/+0.102	20	26	22	1
CPS7F-1820-32	18	+0.032/+0.102	20	26	32	1
CPS7F-2022-20	20	+0.040/+0.124	22	29	20	1.5
CPS7F-2023-07	20	+0.040/+0.124	23	30	7	1.5
CPS7F-2023-11.5	20	+0.040/+0.124	23	30	11.5	1.5
CPS7F-2023-16.5	20	+0.040/+0.124	23	30	16.5	1.5
CPS7F-2023-21.5	20	+0.040/+0.124	23	30	21.5	1.5
CPS7F-2224-16	22	+0.040/+0.124	24	30	16	1
CPS7F-2224-20	22	+0.040/+0.124	24	30	20	1
CPS7F-2528-11.5	25	+0.040/+0.124	28	35	11.5	1.5
CPS7F-2528-16.5	25	+0.040/+0.124	28	35	16.5	1.5
CPS7F-2528-21.5	25	+0.040/+0.124	28	35	21.5	1.5
CPS7F-2532-20	25	+0.065/+0.195	32	38	20	4
CPS7F-2532-30	25	+0.065/+0.195	32	38	30	4

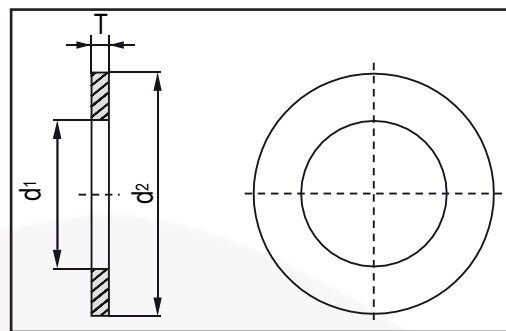
Код изделия	d <sub>1</sub> [мм]	d <sub>1</sub> – после запрессовки [мм]	d <sub>2</sub> [мм]	d <sub>3</sub> [мм]	L [мм]	T [мм]
CPS7F-3034-16	30	+0.040/+0.124	34	42	16	2
CPS7F-3034-26	30	+0.040/+0.124	34	42	26	2
CPS7F-3034-37	30	+0.040/+0.124	34	42	37	2
CPS7F-3038-20	30	+0.065/+0.195	38	44	20	4
CPS7F-3236-16	32	+0.050/+0.150	36	40	16	2
CPS7F-3236-26	32	+0.050/+0.150	36	40	26	2
CPS7F-3539-09	35	+0.050/+0.150	39	47	9	2
CPS7F-3539-16	35	+0.050/+0.150	39	47	16	2
CPS7F-3539-26	35	+0.050/+0.150	39	47	26	2
CPS7F-3539-40	35	+0.050/+0.150	39	47	40	2
CPS7F-4044-14	40	+0.025/+0.125	44	52	14	2
CPS7F-4044-30	40	+0.050/+0.150	44	52	30	2
CPS7F-4044-40	40	+0.025/+0.125	44	52	40	2
CPS7F-4044-50	40	+0.025/+0.125	44	52	50	2
CPS7F-4550-50	45	+0.050/+0.150	50	58	50	2
CPS7F-5055-40	50	+0.050/+0.150	55	63	40	2
CPS7F-5055-50	50	+0.050/+0.150	55	63	50	2
CPS7F-6065-30	60	+0.030/+0.150	65	75	30	2
CPS7F-6065-60	60	+0.060/+0.180	65	73	60	2
CPS7F-7075-40	70	+0.030/+0.150	75	83	40	2

\*d1 H7 ISO3547-1

\*Допуск d1 после запрессовки  
в отверстие с допуском H7 ( SO3547-1)

CPS7 | CPS3M | CPS15 | CPS19 | CPS23 | CPS25

Метрические упорные шайбы



$d_1$	$f_2$
1-6	0.5
6-12	
12-30	
>30	

Артикул: №

CPS W 13 – 32 36 – 30



Код изделия	$d_1$ [мм]	$d_2$ [мм]	T [мм]
CPS7W-0509-006	5	9	0.6
CPS7W-0615-015	6	15	1.5
CPS7W-0620-015	6	20	1.5
CPS7W-0815-005	8	15	0.5
CPS7W-0815-015	8	15	1.5
CPS7W-0818-010	8	18	1
CPS7W-0818-015	8	18	1.5
CPS7W-1018-010	10	18	1
CPS7W-1018-015	10	18	1.5
CPS7W-1018-020	10	18	2
CPS7W-1224-015	12	24	1.5
CPS7W-1426-015	14	26	1.5
CPS7W-1524-015	15	24	1.5
CPS7W-1630-015	16	30	1.5
CPS7W-1832-015	18	32	1.5

Код изделия	$d_1$ [мм]	$d_2$ [мм]	T [мм]
CPS7W-2036-015	20	36	1.5
CPS7W-2238-015	22	38	1.5
CPS7W-2442-015	24	42	1.5
CPS7W-2640-0075	26	40	0.75
CPS7W-2644-015	26	44	1.5
CPS7W-2848-015	28	48	1.5
CPS7W-3254-015	32	54	1.5
CPS7W-3862-015	38	62	1.5
CPS7W-4266-015	42	66	1.5
CPS7W-4874-020	48	74	2
CPS7W-5278-020	52	78	2
CPS7W-6290-020	62	90	2

\* $d_1$  H7 ISO3547-1

\*Допуск  $d_1$  после запрессовки в отверстие с допуском H7 ( ISO3547-1)