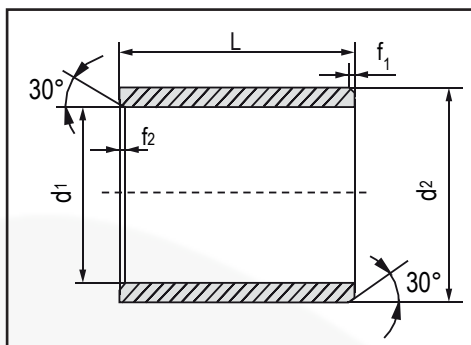


CPS4 | CPS8 | CPS10 | CPS24

Метрические подшипники скольжения



d_1	f_1	f_2
1-6	0.3	0.5
6-12	0.5	
12-30	0.8	
>30	1.2	

Артикул: №
 CPS 13 – 32 36 – 30
 Длина
 Внешний диаметр d_2
 Внутренний диаметр d_1
 Материал CMB13

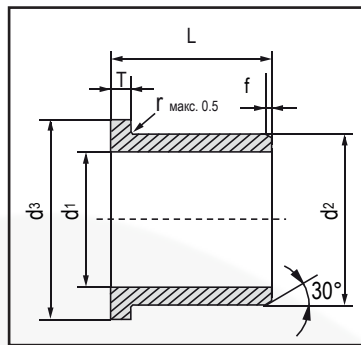
Код изделия	d_1 [мм]	d_1 – после запресовки [мм]	d_2 [мм]	L [мм]
CPS4-0203-03	2	+0.006/+0.046	3.5	3
CPS4-0304-03	3	+0.006/+0.046	4.5	3
CPS4-0304-036	3	+0.006/+0.046	4.5	3.6
CPS4-0304-05	3	+0.006/+0.046	4.5	5
CPS4-0304-055	3	+0.006/+0.046	4.5	5.5
CPS4-0304-06	3	+0.006/+0.046	4.5	6
CPS4-0405-04	4	+0.010/+0.058	5.5	4
CPS4-0405-05	4	+0.010/+0.058	5.5	5
CPS4-0405-06	4	+0.010/+0.058	5.5	6
CPS4-0405-08	4	+0.010/+0.058	5.5	8
CPS4-0405-10	4	+0.010/+0.058	5.5	10
CPS4-0506-05	5	+0.010/+0.040	6	5
CPS4-0506-07	5	+0.010/+0.040	6	7
CPS4-0507-05	5	+0.010/+0.058	7	5
CPS4-0507-08	5	+0.010/+0.058	7	8
CPS4-0507-10	5	+0.010/+0.058	7	10
CPS4-0608-04	6	+0.010/+0.058	8	4
CPS4-0608-06	6	+0.010/+0.058	8	6
CPS4-0608-10	6	+0.010/+0.058	8	10
CPS4-0810-05	8	+0.013/+0.071	10	5
CPS4-0810-08	8	+0.013/+0.071	10	8
CPS4-0810-10	8	+0.013/+0.071	10	10
CPS4-0810-15	8	+0.013/+0.071	10	15
CPS4-1012-06	10	+0.013/+0.071	12	6
CPS4-1012-10	10	+0.013/+0.071	12	10
CPS4-1012-12	10	+0.013/+0.071	12	12
CPS4-1012-15	10	+0.013/+0.071	12	15
CPS4-1214-10	12	+0.016/+0.086	14	10
CPS4-1214-12	12	+0.016/+0.086	14	12
CPS4-1214-15	12	+0.016/+0.086	14	15
CPS4-1214-20	12	+0.016/+0.086	14	20

Код изделия	d_1 [мм]	d_1 – после запресовки [мм]	d_2 [мм]	L [мм]
CPS4-1416-20	14	+0.016/+0.086	16	20
CPS4-1517-15	15	+0.016/+0.086	17	15
CPS4-1618-15	16	+0.016/+0.086	18	15
CPS4-1618-20	16	+0.016/+0.086	18	20
CPS4-1618-25	16	+0.016/+0.086	18	25
CPS4-1820-15	18	+0.016/+0.086	20	15
CPS4-1820-20	18	+0.016/+0.086	20	20
CPS4-1820-25	18	+0.016/+0.086	20	25
CPS4-2023-20	20	+0.020/+0.104	23	20
CPS4-2023-30	20	+0.020/+0.104	23	30
CPS4-2225-20	22	+0.020/+0.104	25	20
CPS4-2528-15	25	+0.020/+0.104	28	15
CPS4-2528-20	25	+0.020/+0.104	28	20
CPS4-3034-20	30	+0.020/+0.104	34	20
CPS4-3034-25	30	+0.020/+0.104	34	25
CPS4-3034-30	30	+0.020/+0.104	34	30
CPS4-3034-40	30	+0.020/+0.104	34	40
CPS4-3236-30	32	+0.025/+0.125	36	30
CPS4-3539-20	35	+0.025/+0.125	39	20
CPS4-3539-40	35	+0.025/+0.125	39	40
CPS4-4044-20	40	+0.025/+0.125	44	20
CPS4-4044-30	40	+0.025/+0.125	44	30
CPS4-4044-50	40	+0.025/+0.125	44	50
CPS4-4550-50	45	+0.025/+0.125	50	50
CPS4-5055-40	50	+0.025/+0.125	55	40
CPS4-5560-26	55	+0.030/+0.150	60	26
CPS4-6065-60	60	+0.030/+0.150	65	60

* d_1 H7 ISO3547-1
 *Допуск d_1 после запресовки
 в отверстие с допуском H7 (ISO3547-1)

CPS4 | CPS8 | CPS10 | CPS24

Фланцевые подшипники скольжения



d ₁	f ₂
1-6	0.5
6-12	
12-30	
>30	

Артикул: №
CPS F 13 – 32 36 – 30

- Длина
- Внешний диаметр d₁
- Внутренний диаметр d₂
- Материал СМВ13
- F – фланцевый подшипник

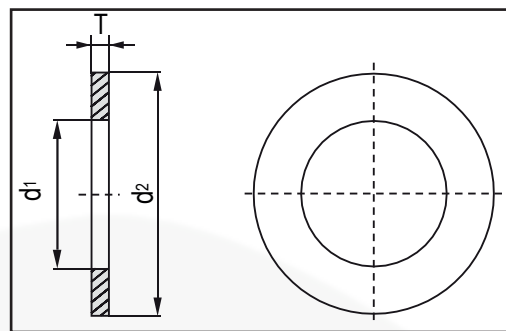
Код изделия	d ₁ [мм]	d ₁ – после запрессовки [мм]	d ₂ [мм]	d ₃ [мм]	L [мм]	T [мм]
CPS4F-0304-03	3	+0.006/+0.046	4.5	7.5	3	0.75
CPS4F-0304-05	3	+0.006/+0.046	4.5	7.5	5	0.75
CPS4F-0405-03	4	+0.010/+0.058	5.5	9.5	3	0.75
CPS4F-0405-04	4	+0.010/+0.058	5.5	9.5	4	0.75
CPS4F-0405-06	4	+0.010/+0.058	5.5	9.5	6	0.75
CPS4F-0507-04	5	+0.010/+0.058	7	11	4	1
CPS4F-0507-05	5	+0.010/+0.058	7	11	5	1
CPS4F-0507-10	5	+0.010/+0.058	7	11	10	1
CPS4F-0608-04	6	+0.010/+0.058	8	12	4	1
CPS4F-0608-06	6	+0.010/+0.058	8	12	6	1
CPS4F-0608-10	6	+0.010/+0.058	8	12	10	1
CPS4F-0810-055	8	+0.013/+0.071	10	15	5.5	1
CPS4F-0810-075	8	+0.013/+0.071	10	15	7.5	1
CPS4F-0810-095	8	+0.013/+0.071	10	15	9.5	1
CPS4F-0810-10	8	+0.013/+0.071	10	15	10	1
CPS4F-0810-15	8	+0.013/+0.071	10	15	15	1
CPS4F-1012-04	10	+0.013/+0.071	12	18	4	1
CPS4F-1012-05	10	+0.013/+0.071	12	18	5	1
CPS4F-1012-09	10	+0.013/+0.071	12	18	9	1
CPS4F-1012-10	10	+0.013/+0.071	12	18	10	1
CPS4F-1012-12	10	+0.013/+0.071	12	18	12	1
CPS4F-1012-15	10	+0.013/+0.071	12	18	15	1
CPS4F-1012-17	10	+0.013/+0.071	12	18	17	1
CPS4F-1214-07	12	+0.016/+0.086	14	20	7	1
CPS4F-1214-10	12	+0.016/+0.086	14	20	10	1

Код изделия	d ₁ [мм]	d ₁ – после запрессовки [мм]	d ₂ [мм]	d ₃ [мм]	L [мм]	T [мм]
CPS4F-1214-12	12	+0.016/+0.086	14	20	12	1
CPS4F-1214-15	12	+0.016/+0.086	14	20	15	1
CPS4F-1214-20	12	+0.016/+0.086	14	20	20	1
CPS4F-1416-12	14	+0.016/+0.086	16	22	12	1
CPS4F-1517-17	15	+0.016/+0.086	17	23	17	1
CPS4F-1618-17	16	+0.016/+0.086	18	24	17	1
CPS4F-1820-12	18	+0.016/+0.086	20	26	12	1
CPS4F-1820-17	18	+0.016/+0.086	20	26	17	1
CPS4F-2023-07	20	+0.020/+0.104	23	30	7	1.5
CPS4F-2023-11.5	20	+0.020/+0.104	23	30	11.5	1.5
CPS4F-2023-16.5	20	+0.020/+0.104	23	30	16.5	1.5
CPS4F-2023-21.5	20	+0.020/+0.104	23	30	21.5	1.5
CPS4F-2023-30	20	+0.020/+0.104	23	30	30	1.5
CPS4F-2528-30	25	+0.020/+0.104	28	35	30	1.5
CPS4F-3034-40	30	+0.020/+0.104	34	42	40	2
CPS4F-3539-26	35	+0.025/+0.125	39	47	26	2
CPS4F-4044-40	40	+0.025/+0.125	44	52	40	2
CPS4F-4550-50	45	+0.025/+0.125	50	58	50	2
CPS4F-5055-50	50	+0.025/+0.125	55	63	50	2
CPS4F-6065-50	60	+0.030/+0.150	65	75	50	2
CPS4F-7075-50	70	+0.030/+0.150	75	83	50	2

*d1 H7 ISO3547-1
*Допуск d1 после запрессовки в отверстие с допуском H7 (SO3547-1)

CPS4 | CPS8 | CPS10 | CPS24

Метрические упорные шайбы



d_1	f_2
1-6	0.5
6-12	
12-30	
>30	

Артикул: №
 CPS W 13 – 32 36 – 30

— Длина
 — Внешний диаметр d_1
 — Внутренний диаметр d_2
 — Материал CMB13
 W – упорная шайба

Код изделия	d_1 [мм]	d_1 – после запрессовки [мм]	d_2 [мм]	T [мм]
CPS4W-0509-006	5	9	0.6	
CPS4W-0615-015	6	15	1.5	
CPS4W-0620-015	6	20	1.5	
CPS4W-0815-005	8	15	0.5	
CPS4W-0815-015	8	15	1.5	
CPS4W-0818-010	8	18	1	
CPS4W-0818-015	8	18	1.5	
CPS4W-1018-010	10	18	1	
CPS4W-1018-015	10	18	1.5	
CPS4W-1018-020	10	18	2	
CPS4W-1224-015	12	24	1.5	
CPS4W-1426-015	14	26	1.5	
CPS4W-1524-015	15	24	1.5	
CPS4W-1630-015	16	30	1.5	
CPS4W-1832-015	18	32	1.5	

Код изделия	d_1 [мм]	d_1 – после запрессовки [мм]	d_2 [мм]	T [мм]
CPS4W-2036-015	20	36	1.5	
CPS4W-2238-015	22	38	1.5	
CPS4W-2442-015	24	42	1.5	
CPS4W-2640-0075	26	40	0.75	
CPS4W-2644-015	26	44	1.5	
CPS4W-2848-015	28	48	1.5	
CPS4W-3254-015	32	54	1.5	
CPS4W-3862-015	38	62	1.5	
CPS4W-4266-015	42	66	1.5	
CPS4W-4874-020	48	74	2	
CPS4W-5278-020	52	78	2	
CPS4W-6290-020	62	90	2	

* d_1 H7 ISO3547-1
 *Допуск d_1 после запрессовки в отверстие с допуском H7 (SO3547-1)