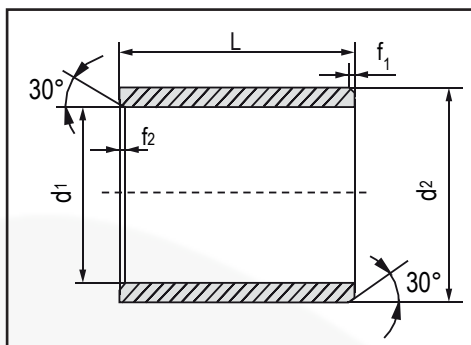


CPS3 | CPS3G | CPS9 | CPS12 | CPS16 | CPS20 | CPS21 | CPS22 | CPS26

Метрические подшипники скольжения



d_1	f_1	f_2
1-6	0.3	0.5
6-12	0.5	
12-30	0.8	
>30	1.2	

Артикул: №
 CPS 13 – 32 36 – 30
 Длина
 Внешний диаметр d_1
 Внутренний диаметр d_2
 Материал CMB13

Код изделия	d_1 [мм]	d_1 – после запресовки [мм]	d_2 [мм]	L [мм]
CPS3-0203-03	2	+0.014/+0.054	3.5	3
CPS3-0304-03	3	+0.014/+0.054	4.5	3
CPS3-0304-036	3	+0.014/+0.054	4.5	3.6
CPS3-0304-05	3	+0.014/+0.054	4.5	5
CPS3-0304-055	3	+0.014/+0.054	4.5	5.5
CPS3-0304-06	3	+0.014/+0.054	4.5	6
CPS3-0405-04	4	+0.020/+0.068	5.5	4
CPS3-0405-05	4	+0.020/+0.068	5.5	5
CPS3-0405-06	4	+0.020/+0.068	5.5	6
CPS3-0405-08	4	+0.020/+0.068	5.5	8
CPS3-0405-10	4	+0.020/+0.068	5.5	10
CPS3-0506-05	5	+0.010/+0.040	6	5
CPS3-0506-07	5	+0.010/+0.040	6	7
CPS3-0507-05	5	+0.020/+0.068	7	5
CPS3-0507-08	5	+0.020/+0.068	7	8
CPS3-0507-10	5	+0.020/+0.068	7	10
CPS3-0608-04	6	+0.020/+0.068	8	4
CPS3-0608-05	6	+0.020/+0.068	8	5
CPS3-0608-06	6	+0.020/+0.068	8	6
CPS3-0608-08	6	+0.020/+0.068	8	8
CPS3-0608-09	6	+0.020/+0.068	8	9
CPS3-0608-10	6	+0.020/+0.068	8	10
CPS3-0608-11	6	+0.020/+0.068	8	11
CPS3-0810-05	8	+0.025/+0.083	10	5
CPS3-0810-06	8	+0.025/+0.083	10	6
CPS3-0810-07	8	+0.025/+0.083	10	7
CPS3-0810-08	8	+0.025/+0.083	10	8
CPS3-0810-10	8	+0.025/+0.083	10	10
CPS3-0810-12	8	+0.025/+0.083	10	12
CPS3-0810-13	8	+0.025/+0.083	10	13
CPS3-0810-15	8	+0.025/+0.083	10	15
CPS3-0810-21	8	+0.025/+0.083	10	21
CPS3-1011-06	10	+0.025/+0.083	11	6
CPS3-1012-04	10	+0.025/+0.083	12	4
CPS3-1012-05	10	+0.025/+0.083	12	5
CPS3-1012-06	10	+0.025/+0.083	12	6
CPS3-1012-07	10	+0.025/+0.083	12	7
CPS3-1012-08	10	+0.025/+0.083	12	8

Код изделия	d_1 [мм]	d_1 – после запресовки [мм]	d_2 [мм]	L [мм]
CPS3-1012-09	10	+0.025/+0.083	12	9
CPS3-1012-10	10	+0.025/+0.083	12	10
CPS3-1012-12	10	+0.025/+0.083	12	12
CPS3-1012-14	10	+0.025/+0.083	12	14
CPS3-1012-15	10	+0.025/+0.083	12	15
CPS3-1012-17	10	+0.025/+0.083	12	17
CPS3-1012-20	10	+0.025/+0.083	12	20
CPS3-1213-12	12	+0.016/+0.059	13	12
CPS3-1214-04	12	+0.032/+0.102	14	4
CPS3-1214-06	12	+0.032/+0.102	14	6
CPS3-1214-08	12	+0.032/+0.102	14	8
CPS3-1214-10	12	+0.032/+0.102	14	10
CPS3-1214-12	12	+0.032/+0.102	14	12
CPS3-1214-14	12	+0.032/+0.102	14	14
CPS3-1214-15	12	+0.032/+0.102	14	15
CPS3-1214-20	12	+0.032/+0.102	14	20
CPS3-1214-25	12	+0.032/+0.102	14	25
CPS3-1315-15	13	+0.032/+0.102	15	15
CPS3-1315-25	13	+0.032/+0.102	15	25
CPS3-1416-03	14	+0.032/+0.102	16	3
CPS3-1416-08	14	+0.032/+0.102	16	8
CPS3-1416-10	14	+0.032/+0.102	16	10
CPS3-1416-15	14	+0.032/+0.102	16	15
CPS3-1416-20	14	+0.032/+0.102	16	20
CPS3-1416-25	14	+0.032/+0.102	16	25
CPS3-1517-10	15	+0.032/+0.102	17	10
CPS3-1517-12	15	+0.032/+0.102	17	12
CPS3-1517-15	15	+0.032/+0.102	17	15
CPS3-1517-20	15	+0.032/+0.102	17	20
CPS3-1517-25	15	+0.032/+0.102	17	25
CPS3-1618-10	16	+0.032/+0.102	18	10
CPS3-1618-12	16	+0.032/+0.102	18	12
CPS3-1618-15	16	+0.032/+0.102	18	15
CPS3-1618-20	16	+0.032/+0.102	18	20
CPS3-1618-25	16	+0.032/+0.102	18	25
CPS3-1618-30	16	+0.032/+0.102	18	30
CPS3-1820-10	18	+0.032/+0.102	20	10
CPS3-1820-12	18	+0.032/+0.102	20	12

CPS3 | CPS3G | CPS9 | CPS12 | CPS16 | CPS20 | CPS21 | CPS22 | CPS26

Код изделия	d ₁ [мм]	d ₁ – после запрессовки [мм]	d ₂ [мм]	L [мм]
CPS3-1820-15	18	+0.032/+0.102	20	15
CPS3-1820-20	18	+0.032/+0.102	20	20
CPS3-1820-25	18	+0.032/+0.102	20	25
CPS3-2022-20	20	+0.040/+0.124	22	20
CPS3-2022-30	20	+0.040/+0.124	22	30
CPS3-2023-10	20	+0.040/+0.124	23	10
CPS3-2023-15	20	+0.040/+0.124	23	15
CPS3-2023-20	20	+0.040/+0.124	23	20
CPS3-2023-25	20	+0.040/+0.124	23	25
CPS3-2023-30	20	+0.040/+0.124	23	30
CPS3-2224-10	22	+0.040/+0.124	24	10
CPS3-2225-15	22	+0.040/+0.124	25	15
CPS3-2225-20	22	+0.040/+0.124	25	20
CPS3-2225-25	22	+0.040/+0.124	25	25
CPS3-2225-30	22	+0.040/+0.124	25	30
CPS3-2528-12	25	+0.040/+0.124	28	12
CPS3-2528-15	25	+0.040/+0.124	28	15
CPS3-2528-20	25	+0.040/+0.124	28	20
CPS3-2528-21	25	+0.040/+0.124	28	21
CPS3-2528-24	25	+0.040/+0.124	28	24
CPS3-2528-25	25	+0.040/+0.124	28	25
CPS3-2528-30	25	+0.040/+0.124	28	30
CPS3-2528-35	25	+0.040/+0.124	28	35
CPS3-2832-30	28	+0.040/+0.124	32	30
CPS3-3034-15	30	+0.040/+0.124	34	15
CPS3-3034-20	30	+0.040/+0.124	34	20
CPS3-3034-24	30	+0.040/+0.124	34	24
CPS3-3034-25	30	+0.040/+0.124	34	25
CPS3-3034-30	30	+0.040/+0.124	34	30
CPS3-3034-35	30	+0.040/+0.124	34	35
CPS3-3034-40	30	+0.040/+0.124	34	40
CPS3-3236-20	32	+0.050/+0.150	36	20
CPS3-3236-30	32	+0.050/+0.150	36	30
CPS3-3236-40	32	+0.050/+0.150	36	40
CPS3-3539-14	35	+0.050/+0.150	39	14
CPS3-3539-20	35	+0.050/+0.150	39	20
CPS3-3539-25	35	+0.050/+0.150	39	25

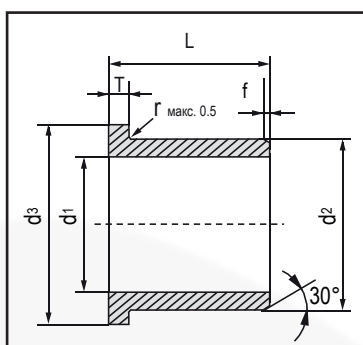
Код изделия	d ₁ [мм]	d ₁ – после запрессовки [мм]	d ₂ [мм]	L [мм]
CPS3-3539-30	35	+0.050/+0.150	39	30
CPS3-3539-40	35	+0.050/+0.150	39	40
CPS3-3539-50	35	+0.050/+0.150	39	50
CPS3-3640-20	36	+0.050/+0.150	40	20
CPS3-4044-10	40	+0.050/+0.150	44	10
CPS3-4044-16	40	+0.050/+0.150	44	16
CPS3-4044-20	40	+0.050/+0.150	44	20
CPS3-4044-30	40	+0.050/+0.150	44	30
CPS3-4044-40	40	+0.050/+0.150	44	40
CPS3-4044-50	40	+0.050/+0.150	44	50
CPS3-4246-40	42	+0.050/+0.150	46	40
CPS3-4246-50	42	+0.050/+0.150	46	50
CPS3-4550-40	45	+0.050/+0.150	50	40
CPS3-4550-50	45	+0.050/+0.150	50	50
CPS3-5055-20	50	+0.050/+0.150	55	20
CPS3-5055-25	50	+0.050/+0.150	55	25
CPS3-5055-30	50	+0.050/+0.150	55	30
CPS3-5055-40	50	+0.050/+0.150	55	40
CPS3-5055-50	50	+0.050/+0.150	55	50
CPS3-5560-20	55	+0.060/+0.180	60	20
CPS3-5560-26	55	+0.060/+0.180	60	26
CPS3-5560-40	55	+0.060/+0.180	60	40
CPS3-5560-50	55	+0.060/+0.180	60	50
CPS3-5560-60	55	+0.060/+0.180	60	60
CPS3-6065-30	60	+0.060/+0.180	65	30
CPS3-6065-40	60	+0.060/+0.180	65	40
CPS3-6065-50	60	+0.060/+0.180	65	50
CPS3-6065-60	60	+0.060/+0.180	65	60
CPS3-6570-50	65	+0.060/+0.180	70	50
CPS3-7075-60	70	+0.060/+0.180	75	60
CPS3-7580-40	75	+0.060/+0.180	80	40
CPS3-115121-90	115	+0.072/+0.212	121	90
CPS3-120125-100	120	+0.072/+0.212	125	100

*d1 H7 ISO3547-1

*Допуск d1 после запрессовки в отверстие с допуском H7 (S03547-1)

CPS3 | CPS3G | CPS9 | CPS12 | CPS16 | CPS20 | CPS21 | CPS22 | CPS26

Фланцевые подшипники скольжения



d_1	f_2
1-6	0.5
6-12	
12-30	
>30	

Артикул: №
CPS F 13 – 32 36 – 30

- Длина
- Внешний диаметр d_1
- Внутренний диаметр d_2
- Материал СМВ13
- F – фланцевый подшипник

Код изделия	d_1 [мм]	d_1 – после запрессовки [мм]	d_2 [мм]	d_3 [мм]	L [мм]	T [мм]
CPS3F-0304-03	3	+0.014/+0.054	4.5	7.5	3	0.75
CPS3F-0304-05	3	+0.014/+0.054	4.5	7.5	5	0.75
CPS3F-0405-03	4	+0.020/+0.068	5.5	9.5	3	0.75
CPS3F-0405-04	4	+0.020/+0.068	5.5	9.5	4	0.75
CPS3F-0405-06	4	+0.020/+0.068	5.5	9.5	6	0.75
CPS3F-0506-035	5	+0.010/+0.040	6	10	3.5	0.5
CPS3F-0506-05	5	+0.010/+0.040	6	10	5	0.5
CPS3F-0506-06	5	+0.010/+0.040	6	10	6	0.5
CPS3F-0507-04	5	+0.020/+0.068	7	11	4	1
CPS3F-0507-05	5	+0.020/+0.068	7	11	5	1
CPS3F-0507-10	5	+0.020/+0.068	7	11	10	1
CPS3F-0607-045	6	+0.010/+0.040	7	11	4.5	0.5
CPS3F-0607-10	6	+0.010/+0.040	7	11	10	0.5
CPS3F-0608-04	6	+0.020/+0.068	8	12	4	1
CPS3F-0608-05	6	+0.020/+0.068	8	12	5	1
CPS3F-0608-06	6	+0.020/+0.068	8	12	6	1
CPS3F-0608-07	6	+0.020/+0.068	8	12	7	1
CPS3F-0608-08	6	+0.020/+0.068	8	12	8	1
CPS3F-0608-10	6	+0.020/+0.068	8	12	10	1
CPS3F-0708-08	7	+0.013/+0.049	8	12	8	0.5
CPS3F-0809-12	8	+0.013/+0.049	9	13	12	0.5
CPS3F-0810-03	8	+0.025/+0.083	10	15	3	1
CPS3F-0810-04	8	+0.025/+0.083	10	15	4	1
CPS3F-0810-055	8	+0.025/+0.083	10	15	5.5	1
CPS3F-0810-075	8	+0.025/+0.083	10	15	7.5	1
CPS3F-0810-095	8	+0.025/+0.083	10	15	9.5	1
CPS3F-0810-10	8	+0.025/+0.083	10	15	10	1
CPS3F-0810-15	8	+0.025/+0.083	10	15	15	1
CPS3F-0810-30	8	+0.025/+0.083	10	15	30	1
CPS3F-1012-04	10	+0.025/+0.083	12	18	4	1
CPS3F-1012-05	10	+0.025/+0.083	12	18	5	1
CPS3F-1012-06	10	+0.025/+0.083	12	18	6	1
CPS3F-1012-07	10	+0.025/+0.083	12	18	7	1
CPS3F-1012-09	10	+0.025/+0.083	12	18	9	1
CPS3F-1012-10	10	+0.025/+0.083	12	18	10	1
CPS3F-1012-12	10	+0.025/+0.083	12	18	12	1
CPS3F-1012-15	10	+0.025/+0.083	12	18	15	1

Код изделия	d_1 [мм]	d_1 – после запрессовки [мм]	d_2 [мм]	d_3 [мм]	L [мм]	T [мм]
CPS3F-1012-17	10	+0.025/+0.083	12	18	17	1
CPS3F-101214-14	10	+0.025/+0.083	12	14	14	1
CPS3F-101216-06	10	+0.025/+0.083	12	16	6	1
CPS3F-101216-09	10	+0.025/+0.083	12	16	9	1
CPS3F-1213-12	12	+0.016/+0.059	13	17	12	0.5
CPS3F-1214-05	12	+0.032/+0.102	14	20	5	1
CPS3F-1214-06	12	+0.032/+0.102	14	20	6	1
CPS3F-1214-07	12	+0.032/+0.102	14	20	7	1
CPS3F-1214-09	12	+0.032/+0.102	14	20	9	1
CPS3F-1214-10	12	+0.032/+0.102	14	20	10	1
CPS3F-1214-11	12	+0.032/+0.102	14	20	11	1
CPS3F-1214-12	12	+0.032/+0.102	14	20	12	1
CPS3F-1214-15	12	+0.032/+0.102	14	20	15	1
CPS3F-1214-17	12	+0.032/+0.102	14	20	17	1
CPS3F-1214-20	12	+0.032/+0.102	14	20	20	1
CPS3F-1214-24	12	+0.032/+0.102	14	20	24	1
CPS3F-121415-10	12	+0.032/+0.102	14	15	10	1
CPS3F-1416-03	14	+0.032/+0.102	16	22	3	1
CPS3F-1416-04	14	+0.032/+0.102	16	22	4	1
CPS3F-1416-06	14	+0.032/+0.102	16	22	6	1
CPS3F-1416-08	14	+0.032/+0.102	16	22	8	1
CPS3F-1416-10	14	+0.032/+0.102	16	22	10	1
CPS3F-1416-12	14	+0.032/+0.102	16	22	12	1
CPS3F-1416-15	14	+0.032/+0.102	16	22	15	1
CPS3F-1416-17	14	+0.032/+0.102	16	22	17	1
CPS3F-1416-21	14	+0.032/+0.102	16	22	21	1
CPS3F-141617-15	14	+0.032/+0.102	16	17	15	1
CPS3F-1517-05	15	+0.032/+0.102	17	23	5	1
CPS3F-1517-09	15	+0.032/+0.102	17	23	9	1
CPS3F-1517-12	15	+0.032/+0.102	17	23	12	1
CPS3F-1517-17	15	+0.032/+0.102	17	23	17	1
CPS3F-1517-20	15	+0.032/+0.102	17	23	20	1
CPS3F-151718-12	15	+0.032/+0.102	17	18	12	1
CPS3F-1618-06	16	+0.032/+0.102	18	24	6	1
CPS3F-1618-09	16	+0.032/+0.102	18	24	9	1
CPS3F-1618-12	16	+0.032/+0.102	18	24	12	1
CPS3F-1618-17	16	+0.032/+0.102	18	24	17	1

CPS3 | CPS3G | CPS9 | CPS12 | CPS16 | CPS20 | CPS21 | CPS22 | CPS26

Код изделия	d ₁ [мм]	d ₁ – после запрессовки [мм]	d ₂ [мм]	d ₃ [мм]	L [мм]	T [мм]
CPS3F-1618-21	16	+0.032/+0.102	18	24	21	1
CPS3F-1719-09	17	+0.032/+0.102	19	25	9	1
CPS3F-1719-25	17	+0.032/+0.102	19	25	25	1
CPS3F-1820-04	18	+0.032/+0.102	20	26	4	1
CPS3F-1820-06	18	+0.032/+0.102	20	26	6	1
CPS3F-1820-09	18	+0.032/+0.102	20	26	9	1
CPS3F-1820-11	18	+0.032/+0.102	20	26	11	1
CPS3F-1820-12	18	+0.032/+0.102	20	26	12	1
CPS3F-1820-17	18	+0.032/+0.102	20	26	17	1
CPS3F-1820-22	18	+0.032/+0.102	20	26	22	1
CPS3F-1820-30	18	+0.032/+0.102	20	26	30	1
CPS3F-202223-21	20	+0.040/+0.124	22	23	21	1.5
CPS3F-2023-3.2	20	+0.040/+0.124	23	30	3.2	1.5
CPS3F-2023-07	20	+0.040/+0.124	23	30	7	1.5
CPS3F-2023-11.5	20	+0.040/+0.124	23	30	11.5	1.5
CPS3F-2023-16.5	20	+0.040/+0.124	23	30	16.5	1.5
CPS3F-2023-21.5	20	+0.040/+0.124	23	30	21.5	1.5
CPS3F-222535-09	22	+0.040/+0.124	25	35	9	1.5
CPS3F-2427-10	24	+0.040/+0.124	27	32	10	1.5
CPS3F-2528-11.5	25	+0.040/+0.124	28	35	11.5	1.5
CPS3F-2528-16.5	25	+0.040/+0.124	28	35	16.5	1.5
CPS3F-2528-21.5	25	+0.040/+0.124	28	35	21.5	1.5
CPS3F-2528-30	25	+0.040/+0.124	28	35	30	1.5
CPS3F-2830-36	28	+0.040/+0.124	30	35	36	2
CPS3F-3032-12	30	+0.040/+0.124	32	37	12	1
CPS3F-3034-16	30	+0.040/+0.124	34	42	16	2
CPS3F-3034-20	30	+0.040/+0.124	34	42	20	2
CPS3F-3034-26	30	+0.040/+0.124	34	42	26	2
CPS3F-3034-37	30	+0.040/+0.124	34	42	37	2
CPS3F-3034-45	30	+0.040/+0.124	34	42	45	2
CPS3F-3236-16	32	+0.050/+0.150	36	40	16	2
CPS3F-3236-26	32	+0.050/+0.150	36	40	26	2

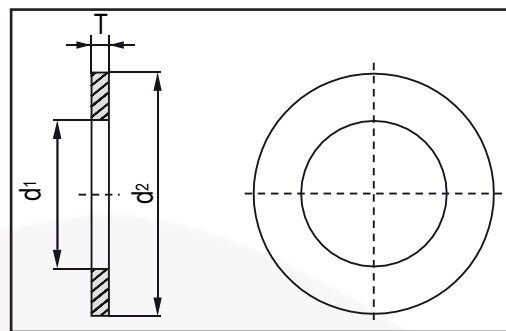
Код изделия	d ₁ [мм]	d ₁ – после запрессовки [мм]	d ₂ [мм]	d ₃ [мм]	L [мм]	T [мм]
CPS3F-3539-07	35	+0.050/+0.150	39	47	7	2
CPS3F-3539-12	35	+0.050/+0.150	39	47	12	2
CPS3F-3539-16	35	+0.050/+0.150	39	47	16	2
CPS3F-3539-26	35	+0.050/+0.150	39	47	26	2
CPS3F-3539-36	35	+0.050/+0.150	39	47	36	2
CPS3F-4044-14	40	+0.050/+0.150	44	52	14	2
CPS3F-4044-20	40	+0.050/+0.150	44	52	20	2
CPS3F-4044-30	40	+0.050/+0.150	44	52	30	2
CPS3F-4044-40	40	+0.050/+0.150	44	52	40	2
CPS3F-4044-50	40	+0.050/+0.150	44	52	50	2
CPS3F-4246-50	42	+0.050/+0.150	46	53	50	2
CPS3F-4550-15	45	+0.050/+0.150	50	58	15	2
CPS3F-4550-30	45	+0.050/+0.150	50	58	30	2
CPS3F-4550-50	45	+0.050/+0.150	50	58	50	2
CPS3F-5055-10	50	+0.050/+0.150	55	63	10	2
CPS3F-5055-40	50	+0.050/+0.150	55	63	40	2
CPS3F-5055-50	50	+0.050/+0.150	55	63	50	2
CPS3F-6065-07	60	+0.060/+0.180	65	73	7	2
CPS3F-6065-22	60	+0.060/+0.180	65	73	22	2
CPS3F-6065-30	60	+0.060/+0.180	65	73	30	2
CPS3F-6065-50	60	+0.060/+0.180	65	73	50	2
CPS3F-606580-62	60	+0.060/+0.180	65	80	62	2
CPS3F-6570-50	65	+0.060/+0.180	70	78	50	2
CPS3F-7075-50	70	+0.060/+0.180	75	83	50	2
CPS3F-9095-11	90	+0.072/+0.212	95	103	11	2.5
CPS3F-95100-22.5	95	+0.072/+0.212	100	108	22.5	2.5
CPS3F-100105-11.5	100	+0.072/+0.212	105	113	11.5	2.5
CPS3F-100105-100	100	+0.072/+0.212	105	113	100	2.5
CPS3F-120125-100	120	+0.072/+0.212	125	133	100	2.5

*d1 H7 ISO3547-1

*Допуск d1 после запрессовки
в отверстие с допуском H7 (SO3547-1)

CPS3 | CPS3G | CPS9 | CPS12 | CPS16 | CPS20 | CPS21 | CPS22 | CPS26

Метрические упорные шайбы



d_1	f_2
1-6	0.5
6-12	
12-30	
>30	

Артикул: №
 CPS W 13 – 32 36 – 30

— Длина
 — Внешний диаметр d_1
 — Внутренний диаметр d_2
 — Материал CMB13
 W – упорная шайба

Код изделия	d_1 [мм]	d_1 – после запрессовки [мм]	d_2 [мм]	T [мм]
CPS3W-0509-006	5	9	0.6	2
CPS3W-0615-015	6	15	1.5	2
CPS3W-0620-015	6	20	1.5	2
CPS3W-0815-005	8	15	0.5	2
CPS3W-0815-015	8	15	1.5	2
CPS3W-0818-010	8	18	1	2
CPS3W-0818-015	8	18	1.5	2
CPS3W-1018-010	10	18	1	2
CPS3W-1018-015	10	18	1.5	2
CPS3W-1018-020	10	18	2	2
CPS3W-1224-015	12	24	1.5	2
CPS3W-1426-015	14	26	1.5	2
CPS3W-1524-015	15	24	1.5	2
CPS3W-1630-015	16	30	1.5	2
CPS3W-1832-015	18	32	1.5	2

Код изделия	d_1 [мм]	d_1 – после запрессовки [мм]	d_2 [мм]	T [мм]
CPS3W-2036-015	20	36	1.5	2
CPS3W-2238-015	22	38	1.5	2
CPS3W-2442-015	24	42	1.5	2
CPS3W-2640-0075	26	40	0.75	2
CPS3W-2644-015	26	44	1.5	2
CPS3W-2848-015	28	48	1.5	2
CPS3W-3254-015	32	54	1.5	2
CPS3W-3862-015	38	62	1.5	2
CPS3W-4266-015	42	66	1.5	2
CPS3W-4874-020	48	74	2	2
CPS3W-5278-020	52	78	2	2
CPS3W-6290-020	62	90	2	2

* d_1 H7 ISO3547-1
 *Допуск d_1 после запрессовки в отверстие с допуском H7 (SO3547-1)