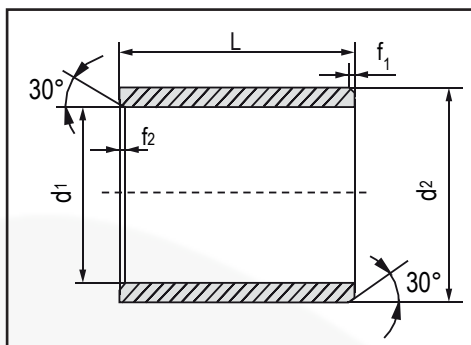


CPS | CPSH | CPS1 | CPS2 | CPS2D | CPS6 | CPS6A | CPS13 | CPS18

Метрические подшипники скольжения



d_1	f_1	f_2
1-6	0.3	0.5
6-12	0.5	
12-30	0.8	
>30	1.2	

Артикул: №
 CPS 13 – 32 36 – 30
 Длина
 Внешний диаметр d_1
 Внутренний диаметр d_2
 Материал CMB13

Код изделия	d_1 [мм]	d_1 – после запресовки [мм]	d_2 [мм]	L [мм]
CPS-0203-03	2	+0.014/+0.054	3.5	3
CPS-0304-03	3	+0.014/+0.054	4.5	3
CPS-0304-036	3	+0.014/+0.054	4.5	3.6
CPS-0304-05	3	+0.014/+0.054	4.5	5
CPS-0304-055	3	+0.014/+0.054	4.5	5.5
CPS-0304-06	3	+0.014/+0.054	4.5	6
CPS-0405-04	4	+0.020/+0.068	5.5	4
CPS-0405-05	4	+0.020/+0.068	5.5	5
CPS-0405-06	4	+0.020/+0.068	5.5	6
CPS-0405-08	4	+0.020/+0.068	5.5	8
CPS-0405-10	4	+0.020/+0.068	5.5	10
CPS-0506-05	5	+0.010/+0.040	6	5
CPS-0506-07	5	+0.010/+0.040	6	7
CPS-0507-05	5	+0.020/+0.068	7	5
CPS-0507-08	5	+0.020/+0.068	7	8
CPS-0507-10	5	+0.020/+0.068	7	10
CPS-0608-04	6	+0.020/+0.068	8	4
CPS-0608-05	6	+0.020/+0.068	8	5
CPS-0608-06	6	+0.020/+0.068	8	6
CPS-0608-08	6	+0.020/+0.068	8	8
CPS-0608-10	6	+0.020/+0.068	8	10
CPS-0608-11	6	+0.020/+0.068	8	11
CPS-0810-05	8	+0.025/+0.083	10	5
CPS-0810-06	8	+0.025/+0.083	10	6
CPS-0810-08	8	+0.025/+0.083	10	8
CPS-0810-10	8	+0.025/+0.083	10	10
CPS-0810-11	8	+0.025/+0.083	10	11
CPS-0810-12	8	+0.025/+0.083	10	12
CPS-0810-15	8	+0.025/+0.083	10	15
CPS-0811-10	8	+0.025/+0.083	11	10
CPS-0812-10	8	+0.025/+0.083	12	10
CPS-0911-06	9	+0.025/+0.083	11	6
CPS-1012-04	10	+0.025/+0.083	12	4
CPS-1012-05	10	+0.025/+0.083	12	5
CPS-1012-06	10	+0.025/+0.083	12	6

Код изделия	d_1 [мм]	d_1 – после запресовки [мм]	d_2 [мм]	L [мм]
CPS-1012-08	10	+0.025/+0.083	12	8
CPS-1012-10	10	+0.025/+0.083	12	10
CPS-1012-12	10	+0.025/+0.083	12	12
CPS-1012-15	10	+0.025/+0.083	12	15
CPS-1014-10	10	+0.025/+0.083	14	10
CPS-1014-16	10	+0.025/+0.083	14	16
CPS-1012-18	10	+0.025/+0.083	12	18
CPS-1012-20	10	+0.025/+0.083	12	20
CPS-1214-06	12	+0.032/+0.102	14	6
CPS-1214-08	12	+0.032/+0.102	14	8
CPS-1214-10	12	+0.032/+0.102	14	10
CPS-1214-12	12	+0.032/+0.102	14	12
CPS-1214-15	12	+0.032/+0.102	14	15
CPS-1214-20	12	+0.032/+0.102	14	20
CPS-1214-25	12	+0.032/+0.102	14	25
CPS-1214-30	12	+0.032/+0.102	14	30
CPS-1215-20	12	+0.032/+0.102	15	20
CPS-1216-12	12	+0.032/+0.102	16	12
CPS-1315-07	13	+0.032/+0.102	15	7
CPS-1315-10	13	+0.032/+0.102	15	10
CPS-1416-08	14	+0.032/+0.102	16	8
CPS-1416-10	14	+0.032/+0.102	16	10
CPS-1416-12	14	+0.032/+0.102	16	12
CPS-1416-15	14	+0.032/+0.102	16	15
CPS-1416-20	14	+0.032/+0.102	16	20
CPS-1416-25	14	+0.032/+0.102	16	25
CPS-1517-10	15	+0.032/+0.102	17	10
CPS-1517-12	15	+0.032/+0.102	17	12
CPS-1517-15	15	+0.032/+0.102	17	15
CPS-1517-17	15	+0.032/+0.102	17	17
CPS-1517-20	15	+0.032/+0.102	17	20
CPS-1517-25	15	+0.032/+0.102	17	25
CPS-1618-10	16	+0.032/+0.102	18	10
CPS-1618-12	16	+0.032/+0.102	18	12
CPS-1618-15	16	+0.032/+0.102	18	15

CPS | CPSH | CPS1 | CPS2 | CPS2D | CPS6 | CPS6A | CPS13 | CPS18

Код изделия	d ₁ [мм]	d ₁ – после запрессовки [мм]	d ₂ [мм]	L [мм]
CPS-1618-20	16	+0.032/+0.102	18	20
CPS-1618-25	16	+0.032/+0.102	18	25
CPS-1619-5.5S	16	+0.015/+0.055	19	5.5
CPS-1620-16	16	+0.032/+0.102	20	16
CPS-1820-15	18	+0.032/+0.102	20	15
CPS-1820-20	18	+0.032/+0.102	20	20
CPS-1820-25	18	+0.032/+0.102	20	25
CPS-2022-12	20	+0.040/+0.124	22	12
CPS-2022-15	20	+0.040/+0.124	22	15
CPS-2022-28	20	+0.040/+0.124	22	28
CPS-2023-10	20	+0.040/+0.124	23	10
CPS-2023-15	20	+0.040/+0.124	23	15
CPS-2023-20	20	+0.040/+0.124	23	20
CPS-2023-23	20	+0.040/+0.124	23	23
CPS-2023-25	20	+0.040/+0.124	23	25
CPS-2023-30	20	+0.040/+0.124	23	30
CPS-2025-15	20	+0.040/+0.124	25	15
CPS-2225-15	22	+0.040/+0.124	25	15
CPS-2225-20	22	+0.040/+0.124	25	20
CPS-2225-25	22	+0.040/+0.124	25	25
CPS-2225-30	22	+0.040/+0.124	25	30
CPS-2528-10	25	+0.040/+0.124	28	10
CPS-2528-12	25	+0.040/+0.124	28	12
CPS-2528-15	25	+0.040/+0.124	28	15
CPS-2528-20	25	+0.040/+0.124	28	20
CPS-2528-25	25	+0.040/+0.124	28	25
CPS-2528-30	25	+0.040/+0.124	28	30
CPS-2529-25	25	+0.040/+0.124	29	25
CPS-2530-25	25	+0.020/+0.104	30	25
CPS-2832-20	28	+0.040/+0.124	32	20
CPS-2832-25	28	+0.040/+0.124	32	25
CPS-2832-30	28	+0.040/+0.124	32	30
CPS-3034-20	30	+0.040/+0.124	34	20
CPS-3034-25	30	+0.040/+0.124	34	25
CPS-3034-30	30	+0.040/+0.124	34	30

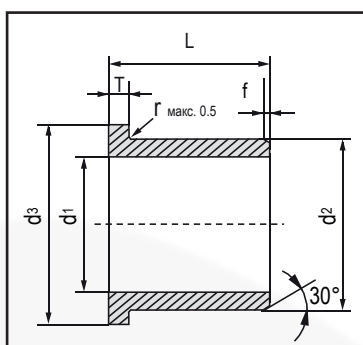
Код изделия	d ₁ [мм]	d ₁ – после запрессовки [мм]	d ₂ [мм]	L [мм]
CPS-3034-40	30	+0.040/+0.124	34	40
CPS-3236-20	32	+0.050/+0.150	36	20
CPS-3236-23	32	+0.050/+0.150	36	23
CPS-3236-25	32	+0.050/+0.150	36	25
CPS-3236-30	32	+0.050/+0.150	36	30
CPS-3236-40	32	+0.050/+0.150	36	40
CPS-3539-15	35	+0.050/+0.150	39	15
CPS-3539-20	35	+0.050/+0.150	39	20
CPS-3539-25	35	+0.050/+0.150	39	25
CPS-3539-30	35	+0.050/+0.150	39	30
CPS-3539-40	35	+0.050/+0.150	39	40
CPS-3539-50	35	+0.050/+0.150	39	50
CPS-4044-20	40	+0.050/+0.150	44	20
CPS-4044-30	40	+0.050/+0.150	44	30
CPS-4044-40	40	+0.050/+0.150	44	40
CPS-4044-50	40	+0.050/+0.150	44	50
CPS-4550-30	45	+0.050/+0.150	50	30
CPS-4550-40	45	+0.050/+0.150	50	40
CPS-4550-50	45	+0.050/+0.150	50	50
CPS-5055-10	50	+0.050/+0.150	55	10
CPS-5055-20	50	+0.050/+0.150	55	20
CPS-5055-30	50	+0.050/+0.150	55	30
CPS-5055-40	50	+0.050/+0.150	55	40
CPS-5055-50	50	+0.050/+0.150	55	50
CPS-5456-30	54	+0.060/+0.180	56	30
CPS-6065-50	60	+0.060/+0.180	65	50
CPS-7075-50	70	+0.060/+0.180	75	50
CPS-8085-40	80	+0.060/+0.180	85	40
CPS-8590-40	85	+0.072/+0.212	90	40
CPS-125130-60	125	+0.043/+0.143	130	60
CPS-150155-60	150	+0.043/+0.143	155	60

*d1 H7 ISO3547-1

*Допуск d1 после запрессовки в отверстие с допуском H7 (ISO3547-1)

CPS | CPSH | CPS1 | CPS2 | CPS2D | CPS6 | CPS6A | CPS13 | CPS18

Фланцевые подшипники скольжения



d_1	f_2
1-6	0.5
6-12	
12-30	
>30	

Артикул: №
CPS F 13 – 32 36 – 30

- Длина
- Внешний диаметр d_1
- Внутренний диаметр d_2
- Материал СМВ13
- F – фланцевый подшипник

Код изделия	d_1 [мм]	d_1 – после запрессовки [мм]	d_2 [мм]	d_3 [мм]	L [мм]	T [мм]
CPSF-0304-03	3	+0.014/+0.054	4.5	7.5	3	0.75
CPSF-0304-05	3	+0.014/+0.054	4.5	7.5	5	0.75
CPSF-0405-03	4	+0.020/+0.068	5.5	9.5	3	0.75
CPSF-0405-04	4	+0.020/+0.068	5.5	9.5	4	0.75
CPSF-0405-06	4	+0.020/+0.068	5.5	9.5	6	0.75
CPSF-0506-035	5	+0.010/+0.040	6	10	3.5	0.5
CPSF-0506-05	5	+0.010/+0.040	6	10	5	0.5
CPSF-0506-06	5	+0.010/+0.040	6	10	6	0.5
CPSF-0507-04	5	+0.020/+0.068	7	11	4	1
CPSF-0507-05	5	+0.020/+0.068	7	11	5	1
CPSF-0507-10	5	+0.020/+0.068	7	11	10	1
CPSF-0608-04	6	+0.020/+0.068	8	12	4	1
CPSF-0608-05	6	+0.020/+0.068	8	12	5	1
CPSF-0608-06	6	+0.020/+0.068	8	12	6	1
CPSF-0608-08	6	+0.020/+0.068	8	12	8	1
CPSF-0608-10	6	+0.020/+0.068	8	12	10	1
CPSF-0810-055	8	+0.025/+0.083	10	15	5.5	1
CPSF-0810-06	8	+0.025/+0.083	10	15	6	1
CPSF-0810-075	8	+0.025/+0.083	10	15	7.5	1
CPSF-0810-095	8	+0.025/+0.083	10	15	9.5	1
CPSF-0810-10	8	+0.025/+0.083	10	15	10	1
CPSF-081014-12	8	+0.025/+0.083	10	14	12	1
CPSF-081014-12F2	8	+0.025/+0.083	10	14	12	2
CPSF-0810-12	8	+0.025/+0.083	10	15	12	1
CPSF-081018-13	8	+0.025/+0.083	10	18	13	1
CPSF-081017-15	8	+0.025/+0.083	10	17	15	1
CPSF-081216-10	8	+0.013/+0.071	12	16	10	2
CPSF-0912-10	9	+0.025/+0.083	12	18	10	2
CPSF-1012-05	10	+0.025/+0.083	12	18	5	1
CPSF-1012-06	10	+0.025/+0.083	12	18	6	1
CPSF-1012-07	10	+0.025/+0.083	12	18	7	1
CPSF-1012-08	10	+0.025/+0.083	12	18	8	1
CPSF-1012-09	10	+0.025/+0.083	12	18	9	1
CPSF-1012-10	10	+0.025/+0.083	12	18	10	1
CPSF-1012-12	10	+0.025/+0.083	12	18	12	1
CPSF-1012-15	10	+0.025/+0.083	12	18	15	1
CPSF-1012-17	10	+0.025/+0.083	12	18	17	1

Код изделия	d_1 [мм]	d_1 – после запрессовки [мм]	d_2 [мм]	d_3 [мм]	L [мм]	T [мм]
CPSF-101216-12	10	+0.013/+0.071	12	16	12	2
CPSF-101418-10	10	+0.013/+0.071	14	18	10	2
CPSF-1214-04	12	+0.032/+0.102	14	20	4	1
CPSF-1214-05	12	+0.032/+0.102	14	20	5	1
CPSF-1214-06	12	+0.032/+0.102	14	20	6	1
CPSF-1214-07	12	+0.032/+0.102	14	20	7	1
CPSF-1214-09	12	+0.032/+0.102	14	20	9	1
CPSF-1214-10	12	+0.032/+0.102	14	20	10	1
CPSF-1214-12	12	+0.032/+0.102	14	20	12	1
CPSF-1214-13	12	+0.032/+0.102	14	20	13	1
CPSF-1214-15	12	+0.032/+0.102	14	20	15	1
CPSF-1214-17	12	+0.032/+0.102	14	20	17	1
CPSF-1214-18	12	+0.032/+0.102	14	20	18	1
CPSF-1214-20	12	+0.032/+0.102	14	20	20	1
CPSF-121417-04	12	+0.032/+0.102	14	17	4	1
CPSF-121417-05	12	+0.032/+0.102	14	17	5	1
CPSF-121418-12F2	12	+0.016/+0.086	14	18	12	2
CPSF-121418-25	12	+0.032/+0.102	14	18	25	1
CPSF-121418-40F2	12	+0.016/+0.086	14	18	40	2
CPSF-121620-10	12	+0.016/+0.086	16	20	10	2
CPSF-121620-12	12	+0.016/+0.086	16	20	12	2
CPSF-131519-12	13	+0.032/+0.102	15	19	12	1
CPSF-131520-05	13	+0.032/+0.102	15	20	5	1
CPSF-1416-052	14	+0.032/+0.102	16	22	5.2	1
CPSF-1416-08	14	+0.032/+0.102	16	22	8	1
CPSF-1416-10	14	+0.032/+0.102	16	22	10	1
CPSF-1416-12	14	+0.032/+0.102	16	22	12	1
CPSF-1416-17	14	+0.032/+0.102	16	22	17	1
CPSF-141620-06	14	+0.016/+0.086	16	20	6	2
CPSF-141620-15	14	+0.016/+0.086	16	20	15	2
CPSF-141822-20	14	+0.032/+0.102	18	22	20	2
CPSF-151720-05	15	+0.032/+0.102	17	20	5	1
CPSF-1517-09	15	+0.032/+0.102	17	23	9	1
CPSF-1517-12	15	+0.032/+0.102	17	23	12	1
CPSF-151720-12	15	+0.032/+0.102	17	20	12	1
CPSF-1517-15	15	+0.032/+0.102	17	23	15	1
CPSF-1517-17	15	+0.032/+0.102	17	23	17	1

CPS | CPSH | CPS1 | CPS2 | CPS2D | CPS6 | CPS6A | CPS13 | CPS18

Код изделия	d ₁ [мм]	d ₁ – после запрессовки [мм]	d ₂ [мм]	d ₃ [мм]	L [мм]	T [мм]
CPSF-1517-20	15	+0.032/+0.102	17	23	20	1
CPSF-1517-25	15	+0.032/+0.102	17	23	25	1
CPSF-1518-12	15	+0.032/+0.102	18	23	12	1
CPSF-1618-09	16	+0.032/+0.102	18	24	9	1
CPSF-1618-12	16	+0.032/+0.102	18	24	12	1
CPSF-1618-17	16	+0.032/+0.102	18	24	17	1
CPSF-161822-22	16	+0.016/+0.086	18	22	22	2
CPSF-162024-16	16	+0.016/+0.086	20	24	16	2
CPSF-162024-22	16	+0.016/+0.086	20	24	22	2
CPSF-1820-12	18	+0.032/+0.102	20	26	12	1
CPSF-1820-17	18	+0.032/+0.102	20	26	17	1
CPSF-1820-20	18	+0.032/+0.102	20	26	20	1
CPSF-182024-22	18	+0.016/+0.086	20	24	22	2
CPSF-1922-23	19	+0.040/+0.124	22	26	23	1
CPSF-2022-15	20	+0.040/+0.124	22	25	15	1.5
CPSF-2023-11.5	20	+0.040/+0.124	23	30	11.5	1.5
CPSF-2023-16.5	20	+0.040/+0.124	23	30	16.5	1.5
CPSF-2023-21.5	20	+0.040/+0.124	23	30	21.5	1.5
CPSF-2023-25	20	+0.040/+0.124	23	30	25	1.5
CPSF-202330-15	20	+0.020/+0.104	23	30	15	2
CPSF-202330-22	20	+0.020/+0.104	23	30	22	2
CPSF-202430-20	20	+0.020/+0.104	24	30	20	2
CPSF-202530-15	20	+0.020/+0.104	25	30	15	2
CPSF-202732-20	20	+0.020/+0.104	27	32	20	2
CPSF-2225-11.5	22	+0.040/+0.124	25	33	11.5	1.5
CPSF-2528-11.5	25	+0.040/+0.124	28	35	11.5	1.5
CPSF-2528-16.5	25	+0.040/+0.124	28	35	16.5	1.5
CPSF-2528-21.5	25	+0.040/+0.124	28	35	21.5	1.5
CPSF-252835-22	25	+0.020/+0.104	28	35	22	2
CPSF-252835-32	25	+0.020/+0.104	28	35	32	2
CPSF-253035-20	25	+0.020/+0.104	30	35	20	2.5
CPSF-253035-25	25	+0.020/+0.104	30	35	25	2.5
CPSF-303335-04	30	+0.020/+0.104	33	35	4	1
CPSF-3034-09	30	+0.040/+0.124	34	42	9	2
CPSF-3034-16	30	+0.040/+0.124	34	42	16	2
CPSF-3034-26	30	+0.040/+0.124	34	42	26	2

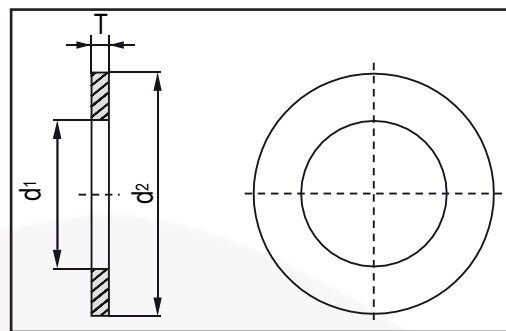
Код изделия	d ₁ [мм]	d ₁ – после запрессовки [мм]	d ₂ [мм]	d ₃ [мм]	L [мм]	T [мм]
CPSF-3034-32	30	+0.040/+0.124	34	42	32	2
CPSF-3034-37	30	+0.040/+0.124	34	42	37	2
CPSF-303445-18	30	+0.020/+0.104	34	45	18	2
CPSF-303445-22	30	+0.020/+0.104	34	45	22	2
CPSF-303445-32	30	+0.040/+0.124	34	45	32	2
CPSF-3236-16	32	+0.050/+0.150	36	40	16	2
CPSF-3236-26	32	+0.050/+0.150	36	40	26	2
CPSF-3539-16	35	+0.050/+0.150	39	47	16	2
CPSF-3539-26	35	+0.050/+0.150	39	47	26	2
CPSF-353950-22	35	+0.025/+0.125	39	50	22	2
CPSF-4044-30	40	+0.050/+0.150	44	52	30	2
CPSF-4044-40	40	+0.050/+0.150	44	52	40	2
CPSF-404455-17	40	+0.025/+0.125	44	55	17	2
CPSF-4550-25	45	+0.050/+0.150	50	58	25	2
CPSF-4550-45	45	+0.050/+0.150	50	58	45	2
CPSF-4550-50	45	+0.050/+0.150	50	58	50	2
CPSF-455060-45	45	+0.025/+0.125	50	60	45	2.5
CPSF-5055-20	50	+0.050/+0.150	55	63	20	2
CPSF-5055-30	50	+0.050/+0.150	55	63	30	2
CPSF-5055-40	50	+0.050/+0.150	55	63	40	2
CPSF-5055-50	50	+0.050/+0.150	55	63	50	2
CPSF-505563-50	50	+0.025/+0.125	55	63	50	2
CPSF-505565-20.5	50	+0.025/+0.125	55	65	20.5	2.5
CPSF-6065-50	60	+0.060/+0.180	65	73	50	2
CPSF-6065-60	60	+0.030/+0.150	65	73	60	2
CPSF-657080-60	65	+0.030/+0.150	70	80	60	2.5
CPSF-7075-50	70	+0.060/+0.180	75	83	50	2
CPSF-758090-25	75	+0.030/+0.150	80	90	25	2.5
CPSF-758090-40	75	+0.030/+0.150	80	90	40	2.5
CPSF-9095110-50	90	+0.036/+0.176	95	110	50	2.5
CPSF-120125140-50	120	+0.072/+0.212	125	140	50	2.5

*d1 H7 ISO3547-1

*Допуск d1 после запрессовки в отверстие с допуском H7 (S03547-1)

CPS | CPSH | CPS1 | CPS2 | CPS2D | CPS6 | CPS6A | CPS13 | CPS18

Метрические упорные шайбы



d_1	f_2
1-6	0.5
6-12	
12-30	
>30	

Артикул: №

CPS W 13 – 32 36 – 30

- Длина
- Внешний диаметр d_1
- Внутренний диаметр d_2
- Материал CMB13
- W – упорная шайба

Код изделия	d_1 [мм]	d_1 – после запрессовки [мм]	d_2 [мм]	T [мм]
CPSW-0509-006	5	9	0.6	2
CPSW-0615-015	6	15	1.5	2
CPSW-0620-015	6	20	1.5	2
CPSW-0815-005	8	15	0.5	2
CPSW-0815-015	8	15	1.5	2
CPSW-0818-010	8	18	1	2
CPSW-0818-015	8	18	1.5	2
CPSW-1018-010	10	18	1	2
CPSW-1018-015	10	18	1.5	2
CPSW-1018-020	10	18	2	2
CPSW-1024-015	10	24	1.5	2
CPSW-1224-015	12	24	1.5	2
CPSW-1226-015	12	26	1.5	2
CPSW-1426-015	14	26	1.5	2
CPSW-1430-015	14	30	1.5	2
CPSW-1524-015	15	24	1.5	2
CPSW-1630-015	16	30	1.5	2
CPSW-1632-015	16	32	1.5	2
CPSW-1832-015	18	32	1.5	
CPSW-1836-015	18	36	1.5	
CPSW-2028-030	20	28	3	2
CPSW-2030-015	20	30	1.5	2

Код изделия	d_1 [мм]	d_1 – после запрессовки [мм]	d_2 [мм]	T [мм]
CPSW-2036-015	20	36	1.5	2
CPSW-2038-015	20	38	1.5	2
CPSW-2238-015	22	38	1.5	2
CPSW-2242-015	22	42	1.5	2
CPSW-2442-015	24	42	1.5	2
CPSW-2444-015	24	44	1.5	2
CPSW-2644-015	26	44	1.5	2
CPSW-2848-015	28	48	1.5	2
CPSW-3054-015	30	54	1.5	2
CPSW-3254-015	32	54	1.5	2
CPSW-3662-015	36	62	1.5	2
CPSW-3862-015	38	62	1.5	2
CPSW-4266-015	42	66	1.5	2
CPSW-4674-020	46	74	2	2
CPSW-4874-020	48	74	2	2
CPSW-5178-020	51	78	2	2
CPSW-5278-020	52	78	2	
CPSW-6290-020	62	90	2	

* d_1 H7 ISO3547-1

*Допуск d_1 после запрессовки в отверстие с допуском H7 (SO3547-1)